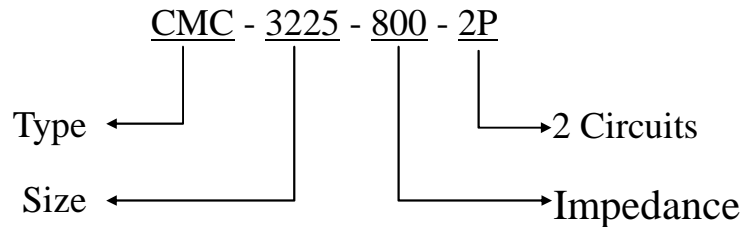




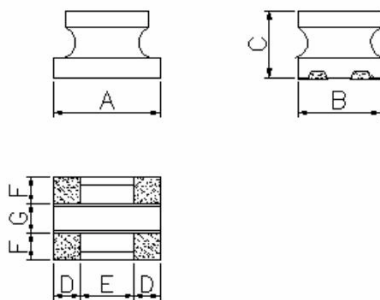
Chilisin Electronics Singapore Pte Ltd

SMD Common mode choke, CMC Series

Ordering Code:



Dimension in mm:



CMC-3225	
A	3.2 ± 0.3
B	2.5 ± 0.3
C	2.0 ± 0.4
D	0.8 typ
E	1.6 typ
F	0.8 typ
G	0.9 typ
Weight	0.06g typ.

Electrical:

PART NO.	Impedance (Ω at 100MHz) Typ.	RDC (Ω) Max.	E _{dc} (V) Max.	I _{dc} (A) Max.
CMC3225-400-2P	40	0.10	20	0.45
CMC3225-800-2P	80	0.15	20	0.40
CMC3225-161-2P	160	0.2	20	0.35
CMC3225-271-2P	270	0.3	20	0.30
CMC3225-601-2P	600	0.4	20	0.35
CMC3225-102-2P	1000	0.5	20	0.20

[Next](#)

[Back](#)