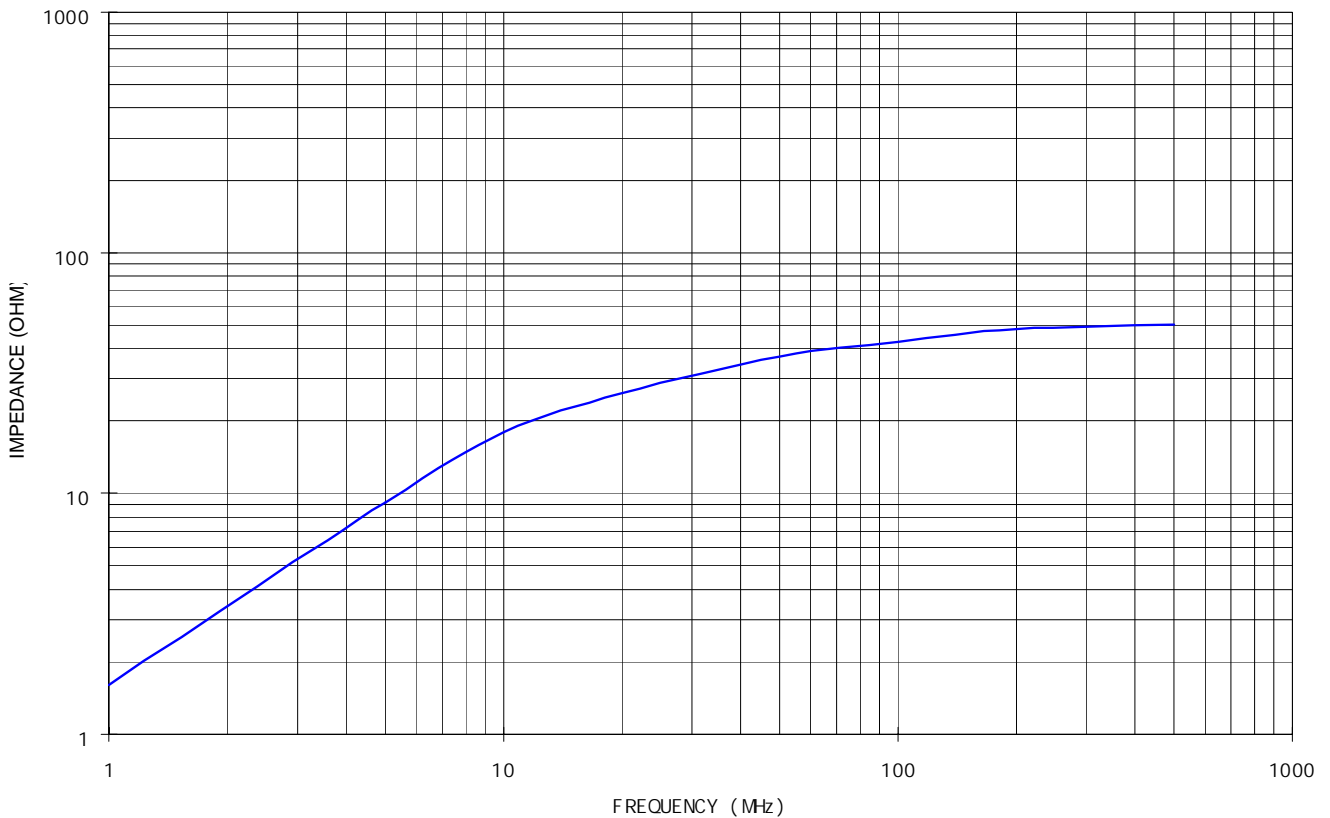


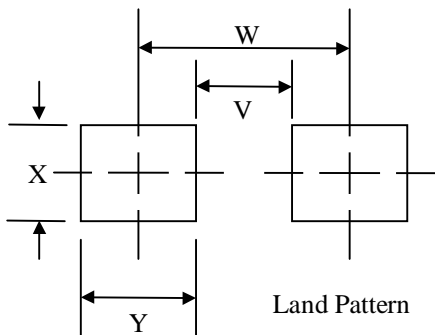




Typical Electrical Characteristics of FB-423226-Y7



### Recommended Land Pattern



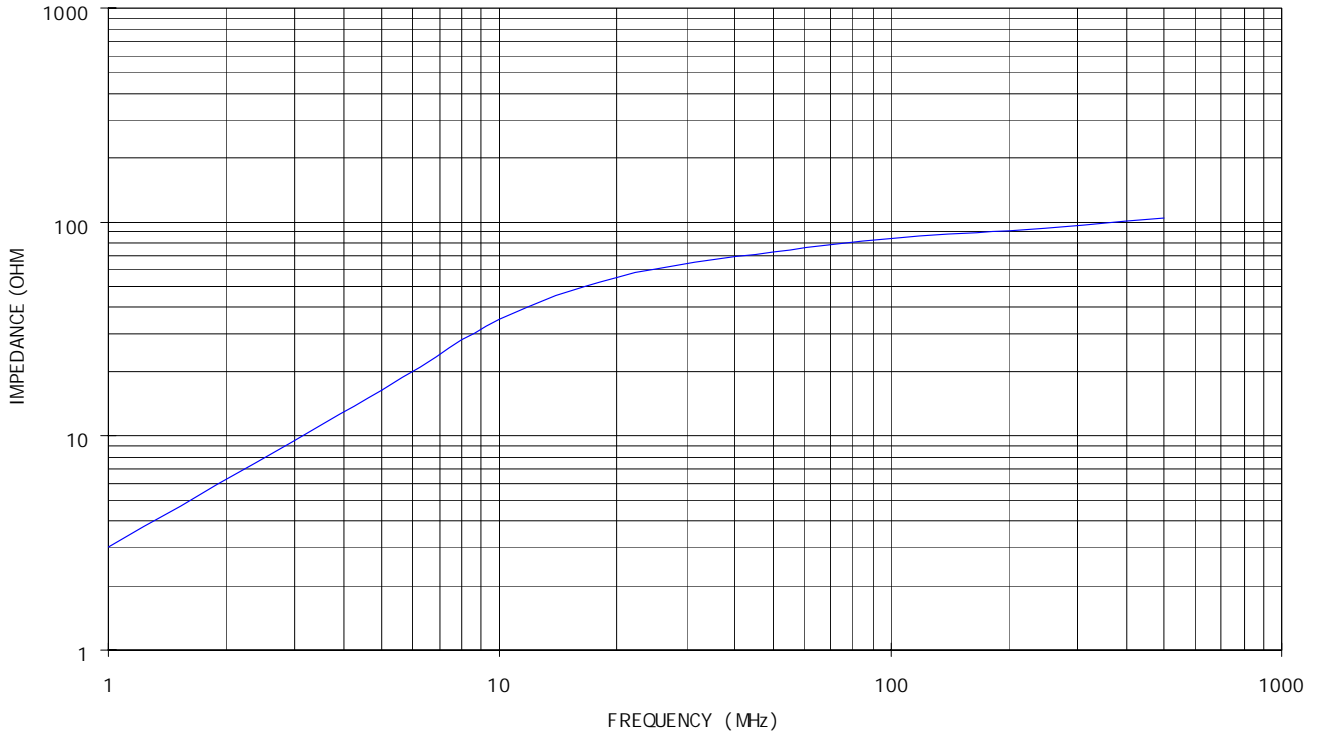
V	1.9 mm
W	4.9 mm
X	3.0 mm
Y	3.0 mm

[Next](#)

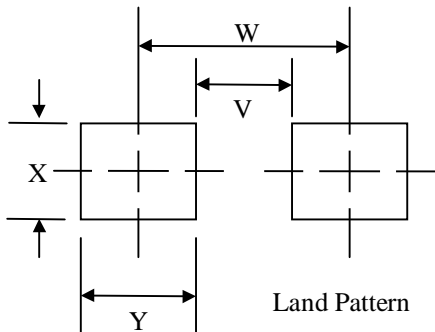
[Back](#)



### Typical Electrical Characteristics FB-784729-Y7



### Recommended Land Pattern



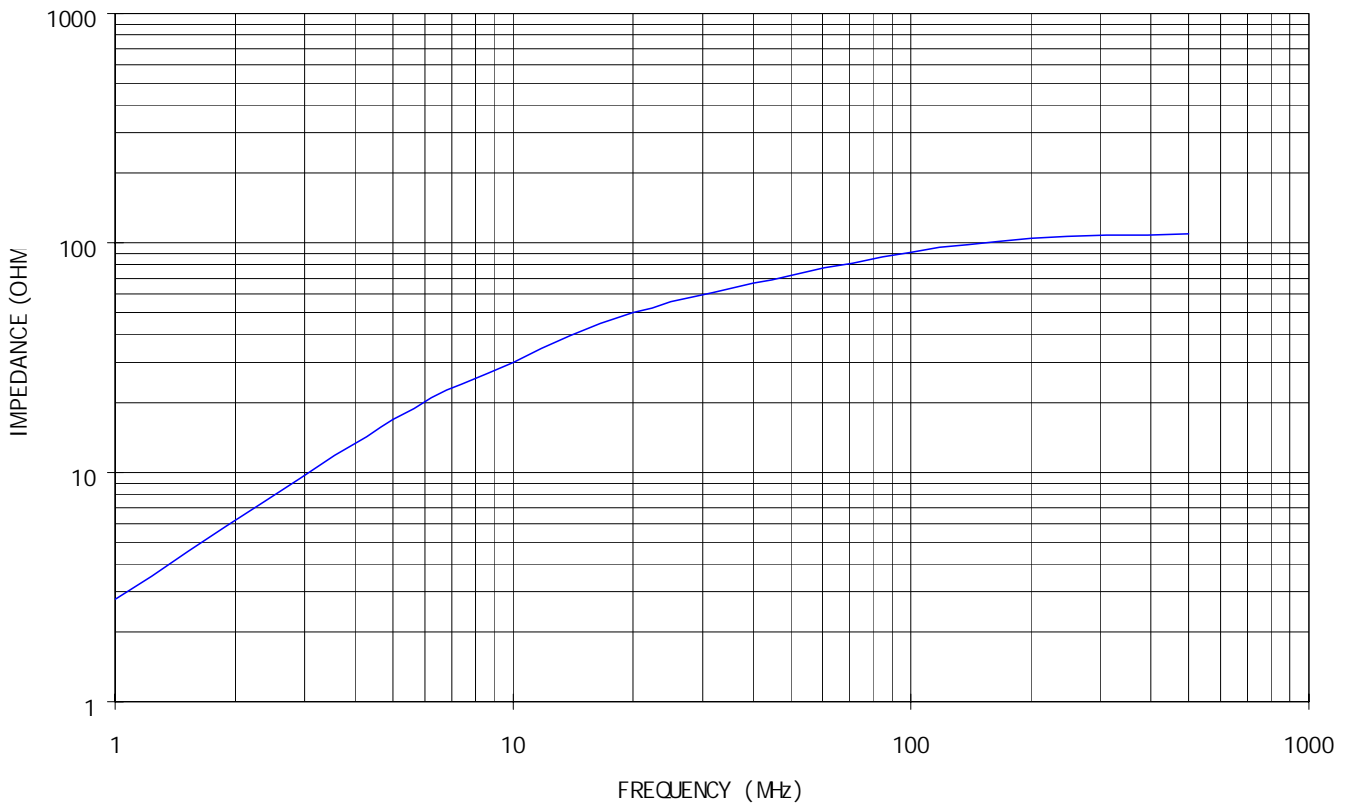
V	6.6 mm
$W_{ref}$	9.1 mm
X	4.6 mm
Y	2.5 mm

[Next](#)

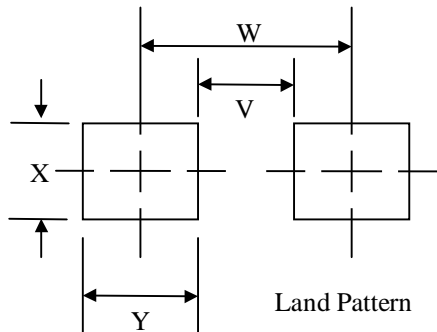
[Back](#)



## Typical Electrical Characteristics of FB-863226-Y7



### Recommended Land Pattern



V	6.4 mm
$W_{ref}$	9.4 mm
X	3.0 mm
Y	3.0 mm

[Next](#)

[Back](#)