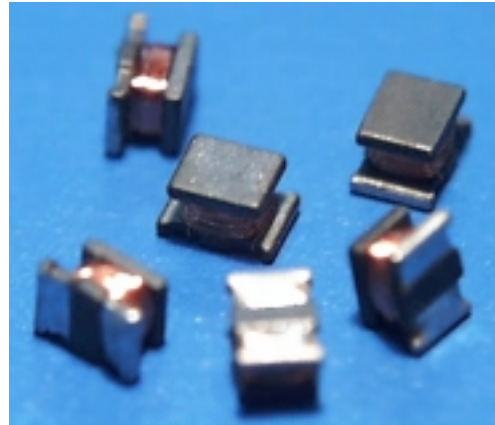
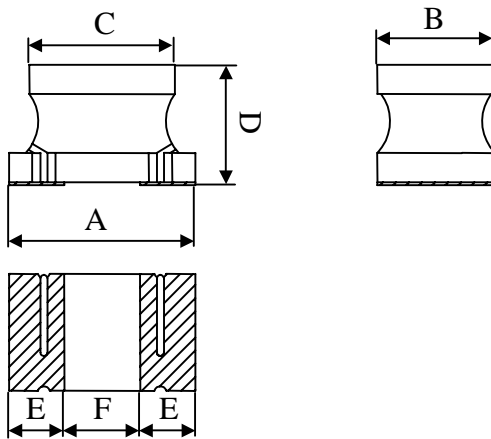




SMD Miniature Inductors, SDI Series

CONFIGURATION & DIMENSIONS



Series	A	B	C	D	E(Ref)	F(Ref)
SDI-321618	3.2±0.3	1.6±0.2	2.3±0.2	1.8±0.2	0.7	0.7
SDI-322520	3.2±0.3	2.5±0.2	2.5±0.2	2.0±0.2	0.9	1.3
SDI-453226	4.5±0.3	3.2±0.2	3.6±0.2	2.6±0.2	1.2	1.6

MATERIALS

- (1) Core : Ferrite Core.
- (2) Wire : Enamelled copper wire.
- (3) Terminal : Ag + Ni + Sn/Pb.

GENERAL SPECIFICATION

- (1) Temp. Rise : 40°C Max
- (2) Rated Current : Base on Temp. rise & $\Delta L/L$ (0A) = 10% max.
- (3) Storage Temp. : -25°C to +85°C
- (4) Resistance To Solder Heat : 260°C, 10Sec.

[Next](#)

[Back](#)



Chilisin Electronics Singapore Pte Ltd

SMD Miniature Inductors, SDI Series

SDM-321618 Series (P 1-2)

Electrical Characteristics

PART NO.	Inductance (μ H)	Q MIN.	TEST FREQ. (KHz)		SRF (MHz) MIN.	RDC (Ω) MAX.	IDC (mA) MAX.
			L	Q			
SDI-321618-R15 <input type="checkbox"/>	0.15	20	1000	25000	250	0.546	250
SDI-321618-R22 <input type="checkbox"/>	0.22	20	1000	25000	250	0.600	240
SDI-321618-R33 <input type="checkbox"/>	0.33	25	1000	25000	250	0.630	230
SDI-321618-R47 <input type="checkbox"/>	0.47	25	1000	25000	200	1.162	215
SDI-321618-R56 <input type="checkbox"/>	0.56	25	1000	25000	180	0.854	200
SDI-321618-R68 <input type="checkbox"/>	0.68	25	1000	25000	160	0.938	190
SDI-321618-R82 <input type="checkbox"/>	0.82	25	1000	25000	120	1.022	185
SDI-321618-1R0 <input type="checkbox"/>	1.0	30	1000	10000	100	0.637	175
SDI-321618-1R2 <input type="checkbox"/>	1.2	30	1000	10000	90	1.170	165
SDI-321618-1R5 <input type="checkbox"/>	1.5	30	1000	10000	75	1.300	155
SDI-321618-1R8 <input type="checkbox"/>	1.8	30	1000	10000	60	2.080	150
SDI-321618-2R2 <input type="checkbox"/>	2.2	30	1000	10000	50	0.910	140
SDI-321618-2R7 <input type="checkbox"/>	2.7	30	1000	10000	43	0.715	135
SDI-321618-3R3 <input type="checkbox"/>	3.3	30	1000	8000	38	0.793	130
SDI-321618-3R9 <input type="checkbox"/>	3.9	30	1000	8000	35	1.950	125
SDI-321618-4R7 <input type="checkbox"/>	4.7	30	1000	8000	31	2.210	120
SDI-321618-5R6 <input type="checkbox"/>	5.6	30	1000	8000	28	2.340	115

M = \pm 20% , K = \pm 10% and J = \pm 5%

[Next](#)

[Back](#)



Chilisin Electronics Singapore Pte Ltd

SMD Miniature Inductors, SDI Series

SDM-321618 Series (P 1-2)

Electrical Characteristics

PART NO.	Inductance (μ H)	Q MIN.	TEST FREQ. (KHz)		SRF (MHz) MIN.	RDC (Ω) MAX.	IDC (mA) MAX.
			L	Q			
SDI-321618-6R8 <input type="checkbox"/>	6.8	30	1000	8000	25	2.600	110
SDI-321618-8R2 <input type="checkbox"/>	8.2	30	1000	8000	23	2.860	105
SDI-321618-100 <input type="checkbox"/>	10	30	1000	5000	20	3.250	100
SDI-321618-120 <input type="checkbox"/>	12	30	1000	5000	18	3.510	95
SDI-321618-150 <input type="checkbox"/>	15.0	30	1000	5000	16	3.90	90
SDI-321618-180 <input type="checkbox"/>	18.0	30	1000	5000	15	4.420	85
SDI-321618-220 <input type="checkbox"/>	22.0	35	1000	2500	14	4.030	85
SDI-321618-270 <input type="checkbox"/>	27.0	35	1000	2500	13	4.420	85
SDI-321618-330 <input type="checkbox"/>	33.0	35	1000	2500	12	4.940	80
SDI-321618-390 <input type="checkbox"/>	39.0	35	1000	2500	11	9.360	55
SDI-321618-470 <input type="checkbox"/>	47.0	35	1000	2500	10	10.40	55
SDI-321618-560 <input type="checkbox"/>	56.0	35	1000	2500	9	11.57	50
SDI-321618-680 <input type="checkbox"/>	68.0	35	1000	2500	8.5	12.87	50
SDI-321618-820 <input type="checkbox"/>	82.0	35	1000	2500	7.5	14.30	45
SDI-321618-101 <input type="checkbox"/>	100.0	35	1000	2500	7.0	15.60	45

M = \pm 20% , K = \pm 10% and J = \pm 5%

[Next](#)

[Back](#)



Chilisin Electronics Singapore Pte Ltd

SMD Miniature Inductors, SDI Series

SDM-322520 Series (P 1-2)

Electrical Characteristics

PART NO.	Inductance (μ H)	Q MIN.	TEST FREQ. (KHz)		SRF (MHz) MIN.	RDC (Ω) MAX.	IDC (mA) MAX.
			L	Q			
SDI-322520-R10 <input type="checkbox"/>	0.1	20	1000	25200	200	0.25	700
SDI-322520-R18 <input type="checkbox"/>	0.18	20	1000	25200	200	0.25	650
SDI-322520-R27 <input type="checkbox"/>	0.27	25	1000	25200	200	0.25	600
SDI-322520-R39 <input type="checkbox"/>	0.39	25	1000	25200	200	0.25	530
SDI-322520-R56 <input type="checkbox"/>	0.56	30	1000	25200	160	0.25	530
SDI-322520-R68 <input type="checkbox"/>	0.68	30	1000	25200	160	0.25	470
SDI-322520-R82 <input type="checkbox"/>	0.82	30	1000	25200	120	0.25	450
SDI-322520-1R0 <input type="checkbox"/>	1	20	1000	1000	100	0.5	445
SDI-322520-1R2 <input type="checkbox"/>	1.2	20	1000	1000	100	0.6	425
SDI-322520-1R5 <input type="checkbox"/>	1.5	20	1000	1000	75	0.6	400
SDI-322520-1R8 <input type="checkbox"/>	1.8	20	1000	1000	60	0.7	390
SDI-322520-2R2 <input type="checkbox"/>	2.2	20	1000	1000	50	0.8	370
SDI-322520-2R7 <input type="checkbox"/>	2.7	20	1000	1000	43	0.9	320
SDI-322520-3R3 <input type="checkbox"/>	3.3	20	1000	1000	38	1	300
SDI-322520-3R9 <input type="checkbox"/>	3.9	20	1000	1000	35	1.1	290
SDI-322520-4R7 <input type="checkbox"/>	4.7	20	1000	1000	31	1.2	270
SDI-322520-5R6 <input type="checkbox"/>	5.6	20	1000	1000	28	1.3	250
SDI-322520-6R8 <input type="checkbox"/>	6.8	20	1000	1000	25	1.5	240
SDI-322520-8R2 <input type="checkbox"/>	8.2	20	1000	1000	23	1.6	225
SDI-322520-100 <input type="checkbox"/>	10	25	1000	1000	20	1.8	190
SDI-322520-120 <input type="checkbox"/>	12	25	1000	1000	18	2	180

M = \pm 20% , K = \pm 10% and J = \pm 5%

[Next](#)

[Back](#)



Electrical Characteristics

PART NO.	Inductance (μ H)	Q MIN.	TEST FREQ. (KHz)		SRF (MHz) MIN.	RDC (Ω) MAX.	IDC (mA) MAX.
			L	Q			
SDI-322520-150 <input type="checkbox"/>	15	25	1000	1000	16	2.2	170
SDI-322520-180 <input type="checkbox"/>	18	25	1000	1000	15	2.5	165
SDI-322520-220 <input type="checkbox"/>	22	25	1000	1000	14	2.8	150
SDI-322520-270 <input type="checkbox"/>	27	25	1000	1000	13	3.1	125
SDI-322520-330 <input type="checkbox"/>	33	25	1000	1000	12	3.5	115
SDI-322520-390 <input type="checkbox"/>	39	25	1000	1000	11	3.9	110
SDI-322520-470 <input type="checkbox"/>	47	25	1000	1000	11	4.3	100
SDI-322520-560 <input type="checkbox"/>	56	25	1000	1000	10	4.9	85
SDI-322520-680 <input type="checkbox"/>	68	25	1000	1000	9.0	5.5	80
SDI-322520-820 <input type="checkbox"/>	82	25	1000	1000	8.5	6.2	70
SDI-322520-101 <input type="checkbox"/>	100	30	1000	796	8.0	7	80
SDI-322520-121 <input type="checkbox"/>	120	30	1000	796	7.5	8	75
SDI-322520-151 <input type="checkbox"/>	150	30	1000	796	7.0	9.3	70
SDI-322520-181 <input type="checkbox"/>	180	30	1000	796	6.0	10.2	65
SDI-322520-221 <input type="checkbox"/>	220	30	1000	796	5.5	11.8	65
SDI-322520-271 <input type="checkbox"/>	270	30	1000	796	5.0	12.5	65
SDI-322520-331 <input type="checkbox"/>	330	30	1000	796	5.0	13	65
SDI-322520-391 <input type="checkbox"/>	390	30	1000	796	5.0	22.0	50
SDI-322520-471 <input type="checkbox"/>	470	30	1	796	5.0	25.0	45
SDI-322520-561 <input type="checkbox"/>	560	30	1	796	5.0	28.0	40

M = \pm 20% , K = \pm 10% and J = \pm 5%

[Next](#)

[Back](#)



Chilisin Electronics Singapore Pte Ltd

SMD Miniature Inductors, SDI Series

SDM-453226 Series (P 1-2)

Electrical Characteristics

PART NO.	Inductance (μ H)	Q MIN.	TEST FREQ. (KHz)		SRF (MHz) MIN.	RDC (Ω) MAX.	IDC (mA) MAX.
			L	Q			
SDI-453226-1R0 <input type="checkbox"/>	1	20	1000	1000	120	0.20	500
SDI-453226-1R2 <input type="checkbox"/>	1.2	20	1000	1000	100	0.20	500
SDI-453226-1R5 <input type="checkbox"/>	1.5	20	1000	1000	85	0.30	500
SDI-453226-1R8 <input type="checkbox"/>	1.8	20	1000	1000	75	0.30	500
SDI-453226-2R2 <input type="checkbox"/>	2.2	20	1000	1000	62	0.30	500
SDI-453226-2R7 <input type="checkbox"/>	2.7	20	1000	1000	53	0.32	500
SDI-453226-3R3 <input type="checkbox"/>	3.3	20	1000	1000	47	0.35	500
SDI-453226-3R9 <input type="checkbox"/>	3.9	20	1000	1000	41	0.38	500
SDI-453226-4R7 <input type="checkbox"/>	4.7	30	1000	1000	38	0.40	500
SDI-453226-5R6 <input type="checkbox"/>	5.6	30	1000	1000	33	0.47	500
SDI-453226-6R8 <input type="checkbox"/>	6.8	30	1000	1000	31	0.50	450
SDI-453226-8R2 <input type="checkbox"/>	8.2	30	1000	1000	27	0.56	450
SDI-453226-100 <input type="checkbox"/>	10	35	1000	1000	23	0.56	400
SDI-453226-120 <input type="checkbox"/>	12	35	1000	1000	21	0.62	380
SDI-453226-150 <input type="checkbox"/>	15	35	1000	1000	19	0.73	360
SDI-453226-180 <input type="checkbox"/>	18	35	1000	1000	17	0.82	340
SDI-453226-220 <input type="checkbox"/>	22	35	1000	1000	15	0.94	320
SDI-453226-270 <input type="checkbox"/>	27	35	1000	1000	14	1.1	300

M = \pm 20% , K = \pm 10% and J = \pm 5%

[Next](#)

[Back](#)



Chilisin Electronics Singapore Pte Ltd

SMD Miniature Inductors, SDI Series

SDM-453226 Series (P 2-2)

Electrical Characteristics

PART NO.	Inductance (μ H)	Q MIN.	TEST FREQ. (KHz)		SRF (MHz) MIN.	RDC (Ω) MAX.	IDC (mA) MAX.
			L	Q			
SDI-453226-390 <input type="checkbox"/>	39	35	1000	1000	11	1.4	240
SDI-453226-470 <input type="checkbox"/>	47	35	1000	1000	10	1.5	220
SDI-453226-560 <input type="checkbox"/>	56	35	1000	1000	9.3	1.7	200
SDI-453226-680 <input type="checkbox"/>	68	35	1000	1000	8.4	1.9	180
SDI-453226-820 <input type="checkbox"/>	82	35	1000	1000	7.5	2.2	170
SDI-453226-101 <input type="checkbox"/>	100	40	1000	796	6.8	2.5	160
SDI-453226-121 <input type="checkbox"/>	120	40	1000	796	6.2	3.0	150
SDI-453226-151 <input type="checkbox"/>	150	40	1000	796	5.5	3.7	130
SDI-453226-181 <input type="checkbox"/>	180	40	1000	796	5.0	4.5	120
SDI-453226-221 <input type="checkbox"/>	220	40	1000	796	4.5	5.4	110
SDI-453226-271 <input type="checkbox"/>	270	40	1000	796	4.0	6.8	100
SDI-453226-331 <input type="checkbox"/>	330	40	1000	796	3.6	8.2	95
SDI-453226-391 <input type="checkbox"/>	390	40	1000	769	3.3	9.7	90
SDI-453226-471 <input type="checkbox"/>	470	40	1	769	3.0	11.8	80
SDI-453226-561 <input type="checkbox"/>	560	40	1	769	2.7	14.5	70
SDI-453226-681 <input type="checkbox"/>	680	40	1	769	2.5	17.0	65
SDI-453226-821 <input type="checkbox"/>	820	40	1	769	2.2	20.5	60
SDI-453226-102 <input type="checkbox"/>	1000	40	1	252	2.0	25.0	50
SDI-453226-122 <input type="checkbox"/>	1200	40	1	252	1.8	30.0	45
SDI-453226-152 <input type="checkbox"/>	1500	40	1	252	1.6	37.0	40
SDI-453226-182 <input type="checkbox"/>	1800	40	1	252	1.5	45.0	35
SDI-453226-222 <input type="checkbox"/>	2200	40	1	252	1.3	50.0	30

[Next](#)

M = \pm 20% , K = \pm 10% and J = \pm 5%

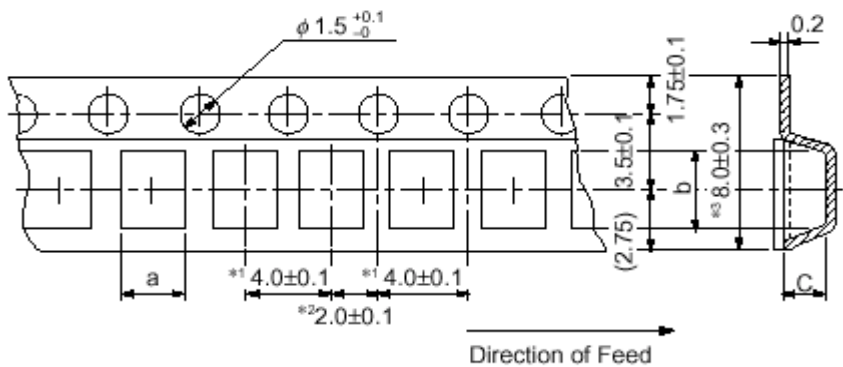
[Back](#)



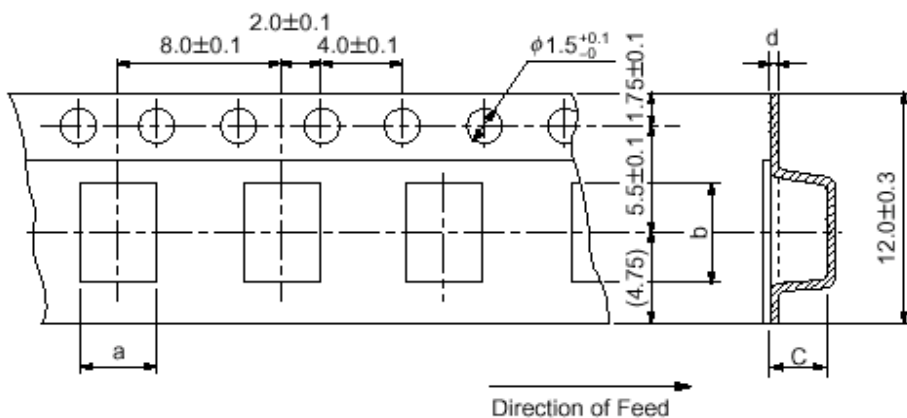
Chilisin Electronics Singapore Pte Ltd

SMD Miniature Inductors, SDI Series

DIMENSIONS OF TAPING



Series	a	b	c	Minmum Quantity	
				7" Reel	13" Reel
SDI 321618 Series	1.9	3.6	2.0	2,000	7,500
SDI 322520 Series	2.9	3.6	2.2	2,000	7,500



Series	a	b	c	d	Minmum Quantity	
					7" Reel	13" Reel
SDI 453226 Series	3.6	4.9	3.1	0.3	500	2,500

[Next](#)

M = $\pm 20\%$, K = $\pm 10\%$ and J = $\pm 5\%$

[Back](#)