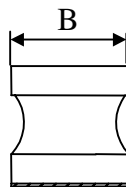
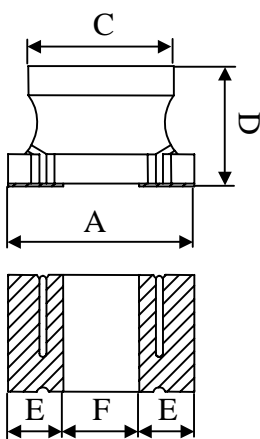




SMD Miniature Power Chokes, SDM Series

CONFIGURATION & DIMENSIONS



Series	A	B	C	D	E(Ref)	F(Ref)
SDM-321618	3.2±0.3	1.6±0.2	2.3±0.2	1.8±0.2	0.7	0.7
SDM-322520	3.2±0.3	2.5±0.2	2.5±0.2	2.0±0.2	0.9	1.3
SDM-453226	4.5±0.3	3.2±0.2	3.6±0.2	2.6±0.2	1.2	1.6
SDM-565050	5.7±0.3	5.0±0.3	5.0±0.3	4.7±0.3	1.3	1.7

MATERIALS

- (1) Core : Ferrite Core.
- (2) Wire : Enamelled copper wire.
- (3) Terminal : Ag + Ni + Sn/Pb.

GENERAL SPECIFICATION

- (1) Temp. Rise : 40°C Max
- (2) Rated Current : Base on Temp. rise & $\Delta L/L$ (0A) = 10% max.
- (3) Storage Temp. : -25°C to +85°C
- (4) Resistance To Solder Heat : 260°C, 10Sec.

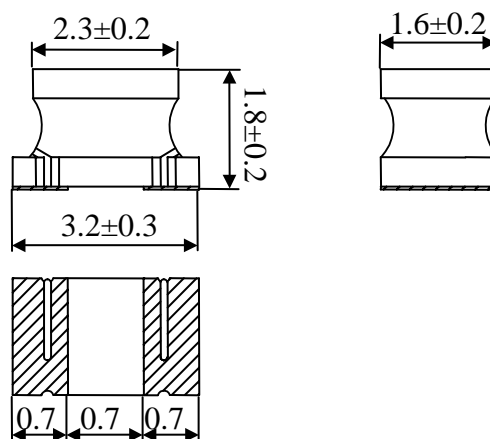
[Next](#)

[Back](#)



Electrical Characteristics

PART NO.	Inductance (μ H)	TOL. (%)	Test Freq.	DCR (Ω) max	SRF (MHz)		IDC (mA) MAX.
					Typ.	Min	
SDM-321618-R12 <input type="checkbox"/>	0.12	± 20	1MHz	0.112	900	250	970
SDM-321618-R22 <input type="checkbox"/>	0.22	± 20	1MHz	0.140	570	250	850
SDM-321618-R47 <input type="checkbox"/>	0.47	± 20	1MHz	0.210	310	180	700
SDM-321618-1R0 <input type="checkbox"/>	1.0	± 20	1MHz	0.364	190	100	510
SDM-321618-2R2 <input type="checkbox"/>	2.2	± 20	1MHz	0.533	110	50	430
SDM-321618-4R7 <input type="checkbox"/>	4.7	± 20	1MHz	0.845	67	31	340
SDM-321618-100 <input type="checkbox"/>	10.0	$\pm 20, \pm 10$	1MHz	1.690	42	20	230
SDM-321618-220 <input type="checkbox"/>	22.0	$\pm 20, \pm 10$	1MHz	3.900	26	14	160
SDM-321618-470 <input type="checkbox"/>	47.0	$\pm 20, \pm 10$	1MHz	10.40	18	10	100
SDM-321618-101 <input type="checkbox"/>	100.0	$\pm 20, \pm 10$	1MHz	15.60	12	7	80



EIA Code: 1206

M = $\pm 20\%$, K = $\pm 10\%$ and J = $\pm 5\%$

[Next](#)

[Back](#)



Electrical Characteristics

PART NO.	Inductance (μ H)	TOL. (%)	Test Freq.	DCR (Ω) max	SRF (MHz)		IDC (mA) MAX.
					Typ.	Min	
SDM-322520-R15 <input type="checkbox"/>	0.15	± 20	1MHz	0.0364	680	400	1450
SDM-322520-R27 <input type="checkbox"/>	0.27	± 20	1MHz	0.0442	490	250	1250
SDM-322520-R47 <input type="checkbox"/>	0.47	± 20	1MHz	0.0546	370	150	1100
SDM-322520-1R0 <input type="checkbox"/>	1.0	± 20	1MHz	0.0780	200	100	1000
SDM-322520-2R2 <input type="checkbox"/>	2.2	± 20	1MHz	0.1261	120	64	790
SDM-322520-4R7 <input type="checkbox"/>	4.7	± 20	1MHz	0.1950	77	43	650
SDM-322520-100 <input type="checkbox"/>	10.0	± 10	1MHz	0.3900	50	26	450
SDM-322520-100 <input type="checkbox"/>	10.0	± 20	1MHz	0.572	40	26	300
SDM-322520-220 <input type="checkbox"/>	22.0	$\pm 20, \pm 10$	1MHz	0.923	27	19	250
SDM-322520-470 <input type="checkbox"/>	47.0	$\pm 20, \pm 10$	1MHz	1.690	19	15	170
SDM-322520-101 <input type="checkbox"/>	100.0	$\pm 20, \pm 10$	1MHz	4.550	13	10	100
SDM-322520-221 <input type="checkbox"/>	220.0	$\pm 20, \pm 10$	1MHz	10.92	8.5	6.8	70
SDM-322520-331 <input type="checkbox"/>	330.0	$\pm 20, \pm 10$	1MHz	13.00	7.0	5.6	60
SDM-322520-391 <input type="checkbox"/>	390.0	$\pm 20, \pm 10$	1MHz	22.10	6.6	5.0	60
SDM-322520-471 <input type="checkbox"/>	470.0	$\pm 20, \pm 10$	1kHz	24.70	6.2	5.0	60
SDM-322520-561 <input type="checkbox"/>	560.0	$\pm 20, \pm 10$	1kHz	28.60	5.7	5.0	60

M = $\pm 20\%$, K = $\pm 10\%$ and J = $\pm 5\%$

[Next](#)

[Back](#)



Electrical Characteristics

PART NO.	Inductance (μH)	TOL. (%)	Test Freq.	DCR (Ω) max	SRF (MHz) Typ.	IDC (mA) MAX.
SDM-453226-1R0 <input type="checkbox"/>	1.0	±20	1MHz	0.08	100	1080
SDM-453226-1R5 <input type="checkbox"/>	1.5	±20	1MHz	0.09	85	1000
SDM-453226-2R2 <input type="checkbox"/>	2.2	±20	1MHz	0.11	60	900
SDM-453226-3R3 <input type="checkbox"/>	3.3	±20	1MHz	0.13	47	800
SDM-453226-4R7 <input type="checkbox"/>	4.7	±20	1MHz	0.15	35	750
SDM-453226-6R8 <input type="checkbox"/>	6.8	±20	1MHz	0.20	30	720
SDM-453226-100 <input type="checkbox"/>	10.0	±20,±10	1MHz	0.24	23	650
SDM-453226-150 <input type="checkbox"/>	15.0	±20,±10	1MHz	0.32	20	570
SDM-453226-220 <input type="checkbox"/>	22.0	±20,±10	1MHz	0.6	15	420
SDM-453226-330 <input type="checkbox"/>	33.0	±20,±10	1MHz	1.0	12	310
SDM-453226-470 <input type="checkbox"/>	47.0	±20,±10	1MHz	1.1	10	280
SDM-453226-680 <input type="checkbox"/>	68.0	±20,±10	1MHz	1.7	8.4	220
SDM-453226-101 <input type="checkbox"/>	100.0	±20,±10	1MHz	2.2	6.8	190
SDM-453226-151 <input type="checkbox"/>	150.0	±20,±10	1MHz	3.5	5.5	130
SDM-453226-221 <input type="checkbox"/>	220.0	±20,±10	1MHz	4.0	4.5	110
SDM-453226-331 <input type="checkbox"/>	330.0	±20,±10	1MHz	6.8	3.6	100
SDM-453226-471 <input type="checkbox"/>	470.0	±20,±10	1kHz	8.5	3.0	90

M = ± 20% , K = ± 10% and J = ± 5%

[Next](#)

[Back](#)



Electrical Characteristics

PART NO.	Inductance (μ H)	TEST FREQ. (KHz)	SRF (MHz) MIN.	RDC (Ω) MAX.	IDC (A) MAX.
SDM-565050-R12 <input type="checkbox"/>	0.12	1000	450	0.010	6.0
SDM-565050-R27 <input type="checkbox"/>	0.27	1000	300	0.014	5.3
SDM-565050-R47 <input type="checkbox"/>	0.47	1000	200	0.018	4.8
SDM-565050-1R0 <input type="checkbox"/>	1.0	1000	150	0.027	4.0
SDM-565050-1R5 <input type="checkbox"/>	1.5	1000	110	0.031	3.7
SDM-565050-2R2 <input type="checkbox"/>	2.2	1000	80	0.041	3.2
SDM-565050-3R3 <input type="checkbox"/>	3.3	1000	40	0.050	2.9
SDM-565050-4R7 <input type="checkbox"/>	4.7	1000	30	0.057	2.7
SDM-565050-6R8 <input type="checkbox"/>	6.8	1000	25	0.10	2.0
SDM-565050-100 <input type="checkbox"/>	10	1000	20	0.13	1.7
SDM-565050-150 <input type="checkbox"/>	15	1000	17	0.21	1.4
SDM-565050-220 <input type="checkbox"/>	22	1000	15	0.27	1.2
SDM-565050-330 <input type="checkbox"/>	33	1000	12	0.45	0.9
SDM-565050-470 <input type="checkbox"/>	47	1000	10	0.56	0.8
SDM-565050-680 <input type="checkbox"/>	68	1000	7.6	0.94	0.64
SDM-565050-101 <input type="checkbox"/>	100	100	6.5	1.20	0.56
SDM-565050-151 <input type="checkbox"/>	150	100	5.0	2.66	0.42
SDM-565050-221 <input type="checkbox"/>	220	100	4.0	3.36	0.32
SDM-565050-331 <input type="checkbox"/>	330	100	3.1	6.16	0.27
SDM-565050-471 <input type="checkbox"/>	470	100	2.4	7.56	0.24
SDM-565050-681 <input type="checkbox"/>	680	100	1.9	11.3	0.19
SDM-565050-102 <input type="checkbox"/>	1000	10	1.7	14.4	0.15
SDM-565050-152 <input type="checkbox"/>	1500	10	1.2	30.1	0.10
SDM-565050-222 <input type="checkbox"/>	2200	10	1.1	45.0	0.09
SDM-565050-332 <input type="checkbox"/>	3300	10	1.0	50.0	0.08
SDM-565050-472 <input type="checkbox"/>	4700	10	0.8	61.0	0.07
SDM-565050-682 <input type="checkbox"/>	6800	10	0.7	100	0.06
SDM-565050-822 <input type="checkbox"/>	8200	10	0.6	125	0.05
SDM-565050-103 <input type="checkbox"/>	10000	10	0.5	140	0.05

[Next](#)

M = \pm 20% , K = \pm 10% and J = \pm 5%

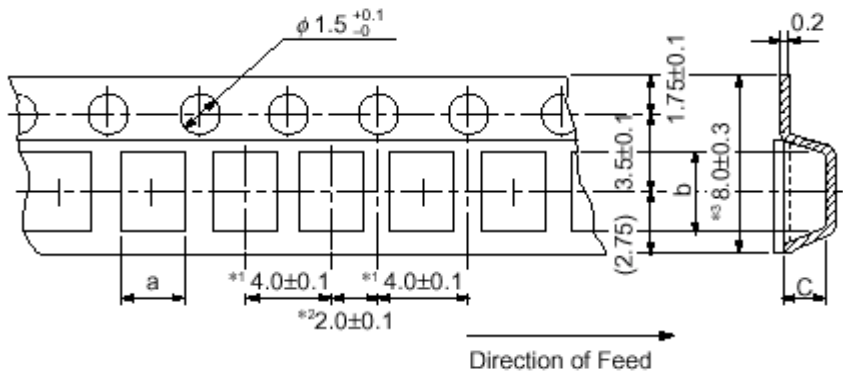
[Back](#)



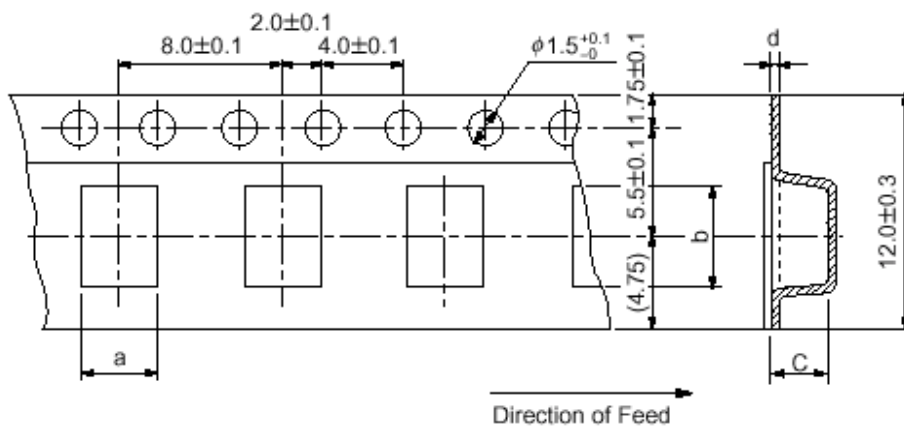
Chilisin Electronics Singapore Pte Ltd

SMD Miniature Power Chokes, SDM Series

DIMENSIONS OF TAPING



Series	a	b	c	Minmum Quantity	
				7" Reel	13" Reel
SDM 321618 Series	1.9	3.6	2.0	2,000	7,500
SDM 322520 Series	2.9	3.6	2.2	2,000	7,500



Series	a	b	c	d	Minmum Quantity	
					7" Reel	13" Reel
SDM 453226 Series	3.6	4.9	3.1	0.3	500	2,500
SDM 565050 Series	5.4	6.1	5.0	0.44	350	

[Next](#)

M = $\pm 20\%$, K = $\pm 10\%$ and J = $\pm 5\%$

[Back](#)